

# PEXline

Cross-linked Polyethylene Pipes

## PEX LINE PIPE

Cat. No.	OD mm	Wall mm	Length	pn
19161000	16	2.2	100	20
19201000	20	2.8	100	20
19255000	25	3.5	50	20

## PEX LINE PIPE with protective pipe

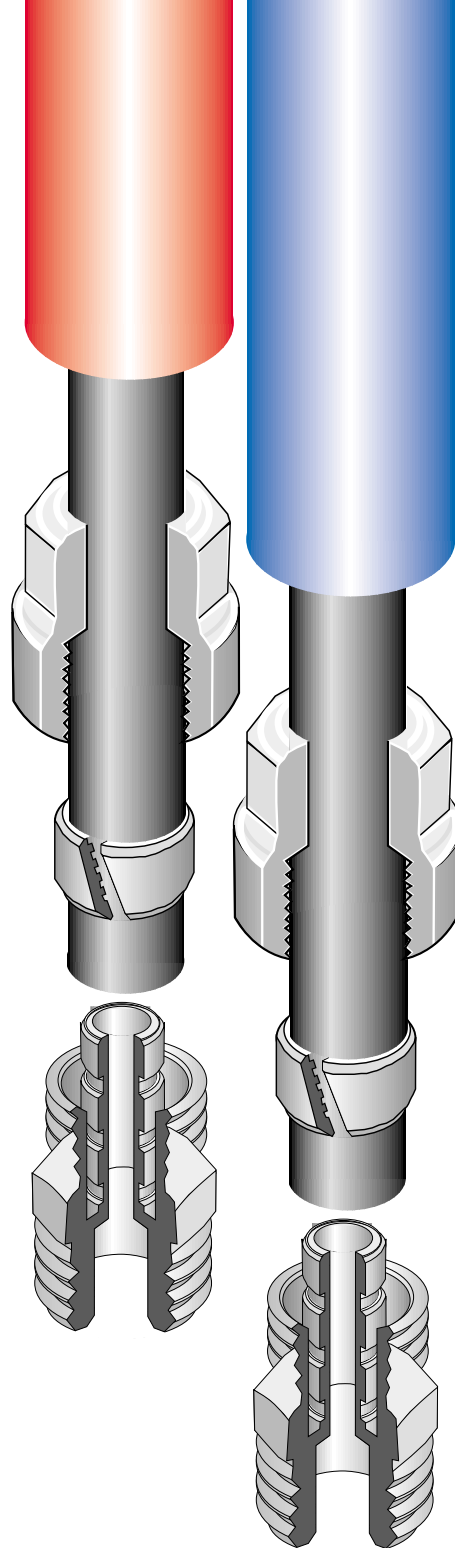
Cat. No.	OD mm	Wall mm	Length	Color
19070161	16	2.2	100	Red
19090161	16	2.2	100	Blue
19102050	20	2.8	50	Black

## PRESSURE RATING

Temp.	PN 20
20 °C	20.0 bar
60 °C	12.8 bar
95 °C	8.6 bar

\* Can be produce in different class in special order

**PEX LINE** pipes are tested and approved according to the ISO 15875 and Israeli standrd No. 5433.



Heftzi Bah 19135, Israel  
 Tel: 972-4-6531629  
 Fax: 972-4-6531517  
 info@palgal.co.il  
 www.palgal.co.il

